

LCR 056

Feed Through Filters and Feed Through Capacitors
馈通式电源滤波器和电容器

RoHS



LCR 056 Series/系列

Features/特点

High reliability, feed through filters and feedthrough capacitors provide high insertion loss over a broad band of frequencies from KHz to GHz frequency levels

高稳定性, 馈通式电源滤波器和穿心电容可以在KHz到GHz的宽频范围内, 表现出更高的插损性能

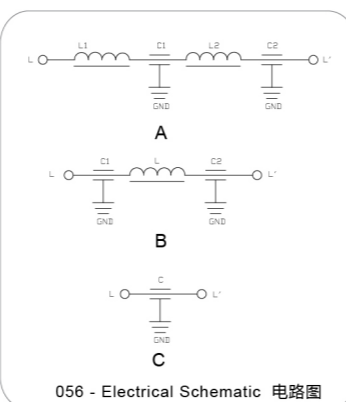
Typical Applications/应用范围

Shielded facilities, base stations, MRI systems, MRI gradient amplifiers, telecommunications systems, servers, switch mode power supply, military equipment and more.

These feed through filters are available with various mounting bushing and all types of terminals

屏蔽设施, 基站, MRI系统, MRI整合扩大室, 电信系统, 伺服器, 开关式电源基站, 军用设备等。

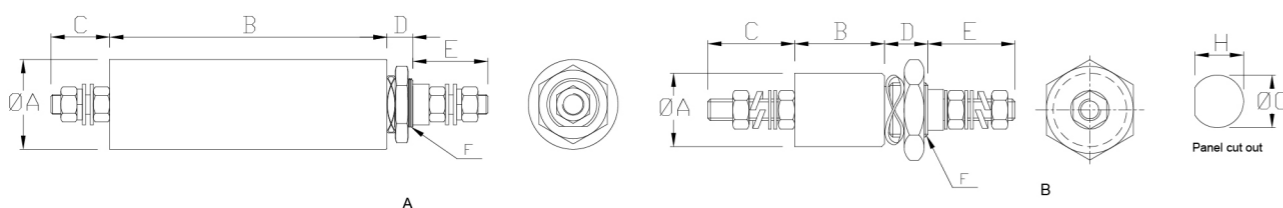
馈通式电源滤波器可适用于多种套管和不同类型的端子



Technical Data/技术参数

Rating Voltage Max. 最高额定电压	Up to 500VAC/ 2000VDC	IP Class 防尘防水等级	IP65
Rated Current 额定电流	Up to 800A @ 60°C	Climatic Category气候类别 (EN60068-1)	25/100/21
Operating Frequency 频率	50/ 60/ 400 Hz	Altitude 海拔	2000M ASL with 100%
Hipot Rating 高压等级	1450VDC or higher	Terminals Option 连接方式	Screw type(see below)
Case 外壳	Plated Brass/ Aluminum/ Steel	Low Partial Discharge 低局部放电	30PC

LCR 056 Mechanical Outlines/外形图



Model No. 型号	Rated Current @ 40°C 额定电流	Rated Voltage 额定电压	Schematic 电路图	Mechanical Diagram 外形图	Unit Weight 单重 (g)	Terminal Options 连接方式	
						In 入	Out 出
056.00510.00	5	100 VDC	A/B	A/B	110	M3 Screw	M3 Screw
056.00530.00	5	250 VAC	A/B	A/B	110	M3 Screw	M3 Screw
056.01510.00	15	100 VDC	A/B	A/B	120	M4 Screw	M4 Screw
056.01530.00	15	250 VAC	A/B	A/B	120	M4 Screw	M4 Screw
056.02510.00	25	100 VDC	A/B	A/B	200	M4 Screw	M4 Screw
056.02530.00	25	250 VAC	A/B	A/B	200	M4 Screw	M4 Screw
056.06001.00	60	275 VDC	C	C	150	M6 Screw	M6 Screw
056.06010.00	60	100 VDC	A/B	A/B	400	M5 Screw	M5 Screw
056.06030.00	60	250 VAC	A/B	A/B	400	M5 Screw	M5 Screw
056.10001.00	100	130/250 VAC	C	C	300	M8 Screw	M8 Screw
056.10020.00	100	200 VDC	A/B	A/B	1000	M8 Screw	M8 Screw
056.10040.00	100	1000 VDC	A/B	A/B	1000	M8 Screw	M8 Screw
056.20020.00	200	200 VDC	A/B	A/B	1000	M10 Screw	M10 Screw
056.20040.00	200	1000 VDC	A/B	A/B	1000	M10 Screw	M10 Screw
056.30020.00	300	200 VDC	A/B	A/B	1500	M12 Screw	M12 Screw
056.30040.00	300	1000 VDC	A/B	A/B	1500	M12 Screw	M12 Screw
056.30050.00	300	2000 VDC	A/B	A/B	1500	M12 Screw	M12 Screw

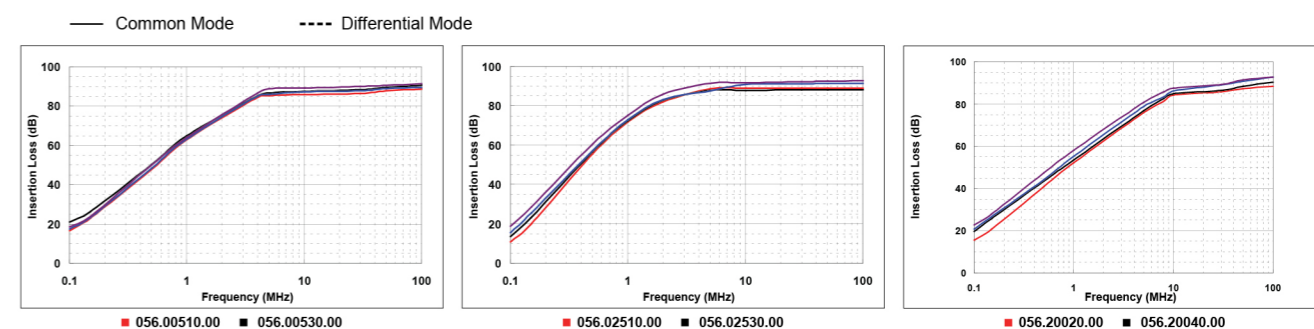
LCR 056 Mechanical Dimensions (mm)/外形尺寸

Model No.	Mechanical Diagram 外形图	A	B	C	D	E	F	G	H
056.00510.00	A	30	115	15	16	20	M12*0.75	11.2	12.2
056.00530.00	A	30	115	15	16	20	M12*0.75	11.2	12.2
056.01510.00	A	30	115	17	16	22	M12*0.75	11.2	12.2
056.01530.00	A	30	115	17	16	22	M12*0.75	11.2	12.2
056.02510.00	A	35	120	17	16	22	M14*1.0	13.2	14.2
056.02530.00	A	35	120	17	39	22	M14*1.0	13.2	14.2
056.06001.00	B	32	29	22	13	26	M20*1.0	19.2	20.2
056.06010.00	A	35	120	18	40	23	M20*1.0	19.2	20.2
056.06030.00	A	35	120	18	40	23	M20*1.0	19.2	20.2
056.10001.00	B	27	33	32	16	32	M20*1.0	19.2	20.2
056.10020.00	A	45	140	30	56	40	M32*1.5	29.7	32.2
056.10040.00	A	45	140	30	56	40	M32*1.5	29.7	32.2
056.20020.00	A	45	140	30	56	40	M32*1.5	29.7	32.2
056.20040.00	A	45	140	30	56	40	M32*1.5	29.7	32.2
056.30020.00	A	55	170	36	62	46	M32*1.5	29.7	32.2
056.30040.00	A	55	170	36	62	46	M32*1.5	29.7	32.2
056.30050.00	A	55	170	36	62	46	M32*1.5	29.7	32.2

所有单位为mm, 1 inch=25.4 mm (All dimensions in mm)

For reference purpose only 仅供参考

LCR 056 Insertion Loss in dB measured in a 50Ω system /50 Ω环境下插入损耗



☆ Other specifications, requirements and customizations can be offered upon request. / 其它规格可以根据您的要求定做