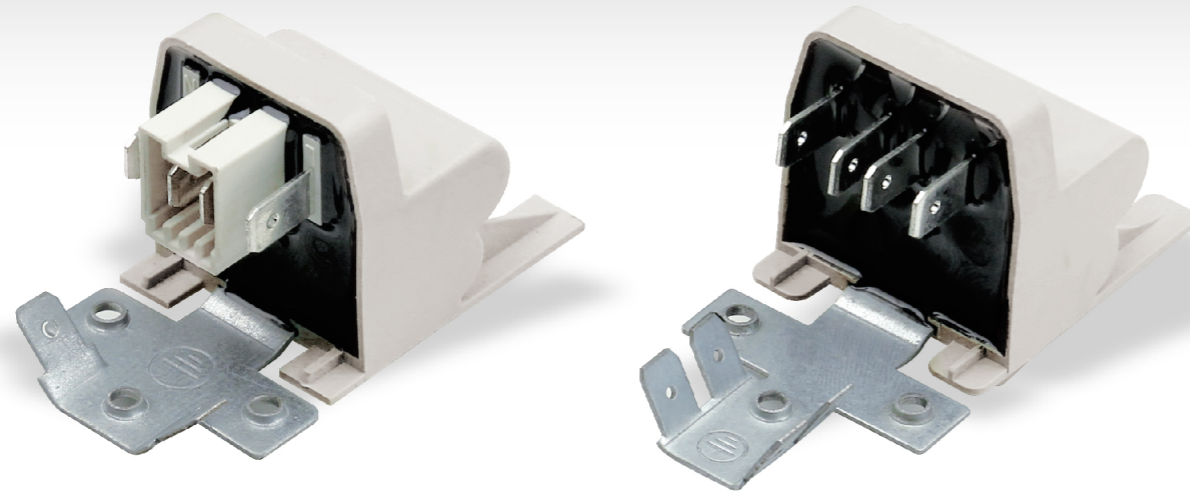
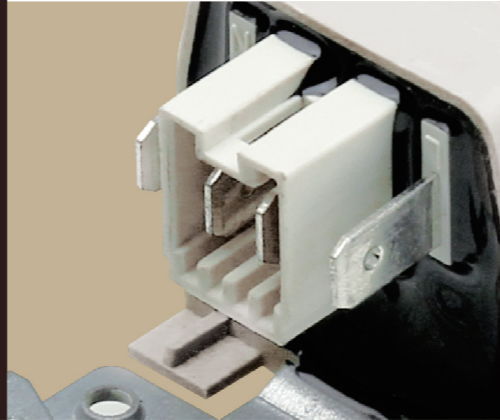


# LCR 095 / 05

High Ambient Dish Washers and Light White Goods EMI Filters

高环境温度洗碗机及小型家电用电源滤波器

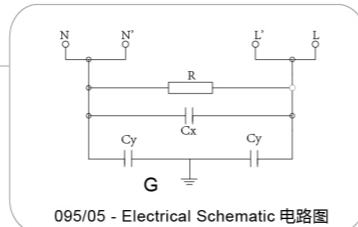


## LCR 095/05 Series/系列

### Features/特点

VDE approved per EN60939-2, design to operate in 85°C ambient, small and compact EMI Filters / suppression Capacitors filters.  
Unique capacitors combination provides higher safety / surge performances and better EMI performances in a very economical solution with standard RAST 5 connection or 4 fast on tabs.

依据欧标60939-2获VDE认证的85度环境温度产品，小巧紧凑的EMI滤波器、抑制电容滤波器。  
独特的电容组合设计可以获得更高的安全的浪涌冲击性能和更好的EMI抑制，拥有RAST5或快接端子连接结构更加经济的解决方案



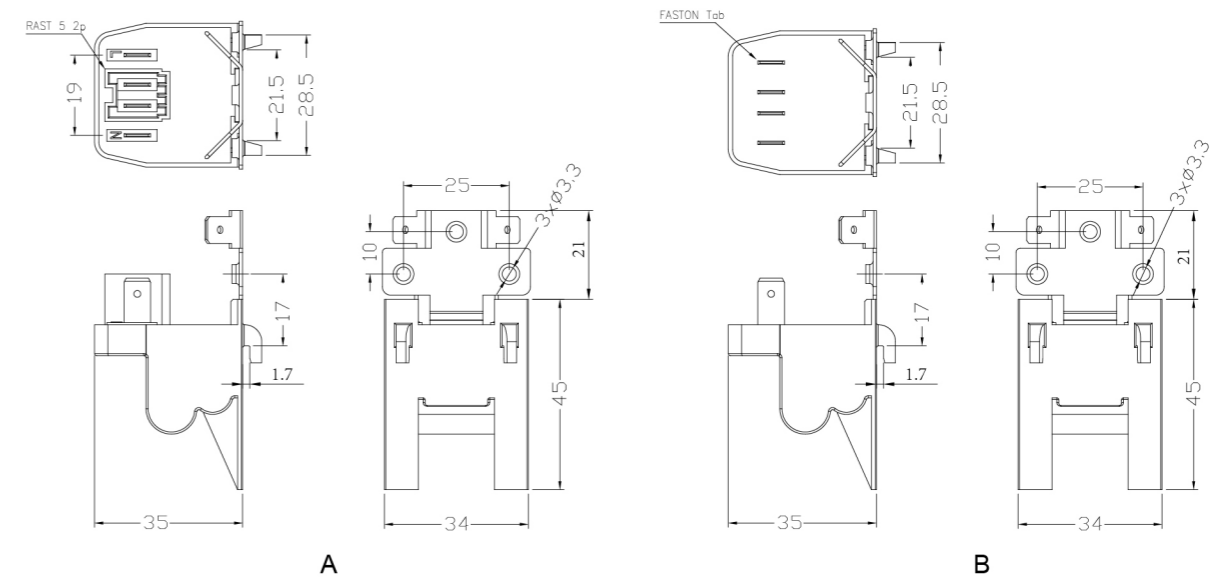
### Typical Applications/应用范围

White Goods in general and washing machine, dryers and dishwashers in particular will benefit from this economic design and the high performances of this unique filter  
通用白色家电设备，尤其是洗衣机，烘干机，洗碗机将会受益于该独一无二设计的滤波器的高性能，高性价比。

### Technical Data/技术参数

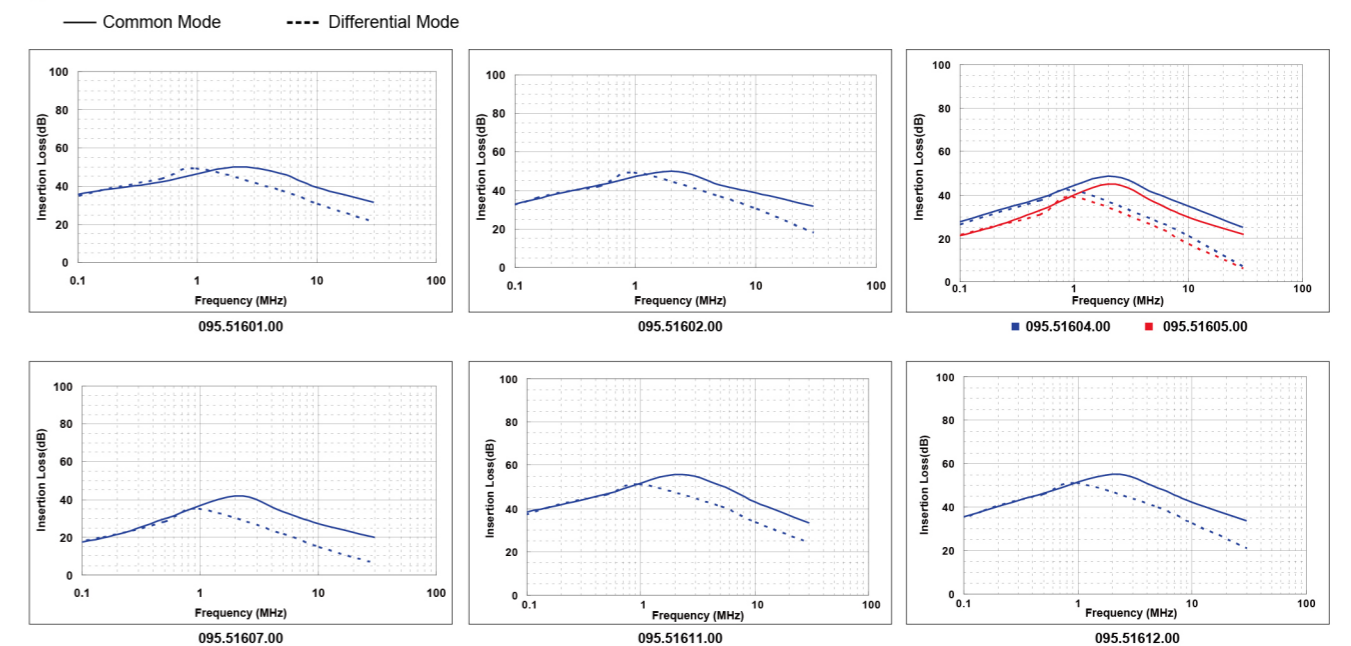
Rated Voltage Max. 最高额定电压(V)	120/250VAC	Leakage Current 漏电流	
Rated Current 额定电流(A)	16A@85°C	@ 250VAC 50Hz	2.50mA Max.
Frequency 频率(Hz)	50/60Hz	@ 120VAC 60Hz	1.50mA Max.
Hi-Pot Rating 高压等级		IP Class 防尘防水等级	IP68
Line to Line线对线	1450V DC	Flammability 防火标准	UL94V-0
Line-GND线对地	2250V DC	GWFI (EN 60695-2-12) 灼热丝燃烧指数	> 850 C
Surge per EN61000-4-5 浪涌	3KV/5KV (6KV)	GWIT (EN 60695-2-13) 灼热丝发火温度	> 750 C
Case 外壳	Modified Plastic 改性塑胶	CTI (EN 60112) 相比耐漏电起痕指数	> 250V
Climatic Category 气候类别 (EN60068-1)	25/100/21	BPT (EN 60695-10-2) 球压温度	> 125 C

### LCR 095/05 Mechanical Outlines/外形图



Model No. 型号	Cx (uF)	Cy (nF)	Model No. 型号	Cx (uF)	Cy (nF)	Model No. 型号	Cx (uF)	Cy (nF)	Model No. 型号	Cx (uF)	Cy (nF)
095.51611.00		27	095.51613.00		15	095.51623.00	0.10	2.2	095.51640.00		15
095.51601.00		25	095.51614.00		10	095.51624.00		27	095.51641.00		10
095.51612.00	0.25	22	095.51615.00	0.15	4.7	095.51625.00	0.47	25	095.51644.00	0.25	2.2
095.51602.00		15	095.51616.00		2.2	095.51626.00		22	095.51645.00		1
095.51604.00		10	095.51617.00		27	095.51627.00		15	095.51646.00		27
095.51605.00		4.7	095.51618.00		25	095.51628.00		10	095.51647.00	0.47	25
095.51607.00		2.2	095.51619.00	0.10	22	095.51631.00	0.33	27	095.51648.00		22
095.51608.00	0.25	27	095.51620.00		15	095.51632.00		25	095.51649.00		15
095.51609.00		25	095.51621.00		10	095.51633.00	0.25	27	095.51650.00		10
095.51610.00		22	095.51622.00		4.7	095.51639.00		25	095.51653.00	0.33	27
						095.51640.00		22	095.51654.00		25

### LCR 095/05 Insertion Loss in dB measured in a 50Ω system /50 Ω环境下插入损耗



☆ For a full and complete technical data sheet and safety data sheet, pls contact LCR. / 详细信息和安规证书，请联系天成达  
☆ Other specifications, requirements and customizations can be offered upon request. / 其它规格可以根据您的要求定做